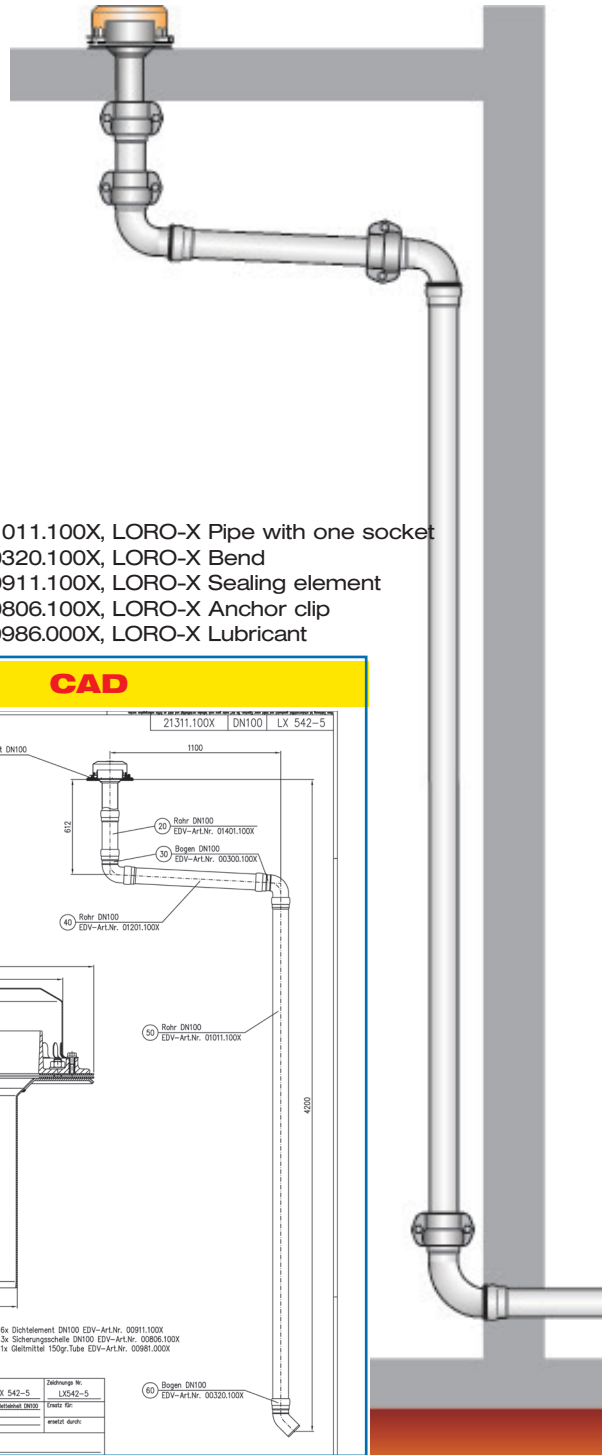


Specification sheet LX 542

**Roof drainage system
DRAINJET® Series 49 (DJ)**

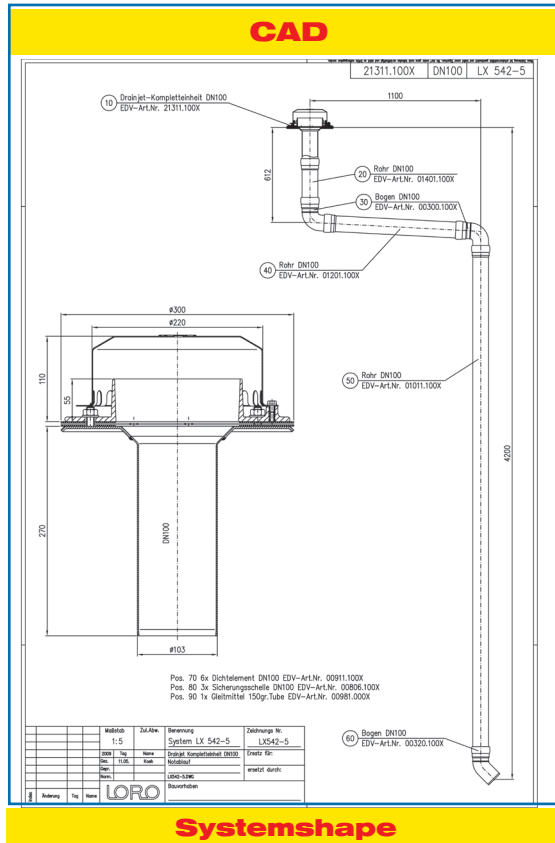
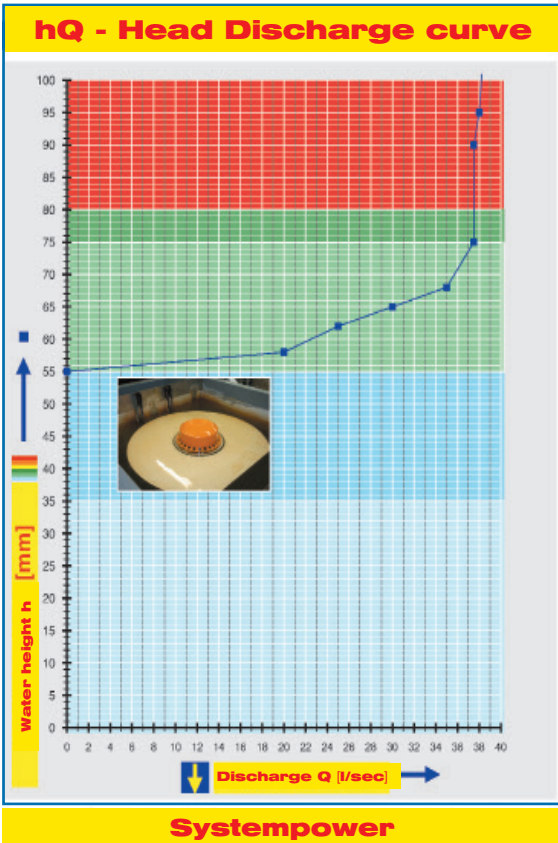
Emergency drainage	
Siphonic flow	
Silent Power	
Discharge rate:	38.0 l/sec
Water height:	75 mm
Roof penetration:	-
Diameter:	DN 100
LX-Number:	LX 542
Weir height:	55 mm
Drain:	not ventilated
Downpipe:	not ventilated
Downpipe height:	4.2 m
Drainage:	on floor



LX 542 Piece list

- 1 x Art.-No. choose drain on page two!**
- 1 x Art.-No. 01401.100X, LORO-X Pipe with one socket
- 2 x Art.-No. 00300.100X, LORO-X Bend
- 1 x Art.-No. 01201.100X, LORO-X Pipe with one socket

- 1 x Art.-No. 01011.100X, LORO-X Pipe with one socket
- 1 x Art.-No. 00320.100X, LORO-X Bend
- 6 x Art.-No. 00911.100X, LORO-X Sealing element
- 3 x Art.-No. 00806.100X, LORO-X Anchor clip
- 1 x Art.-No. 00986.000X, LORO-X Lubricant



Water height	mm	5	10	15	20	25	30	35	40	45	50	55	60	65	70	75
Discharge	l/sec												30	35,7	36	38
													Silent Power			

Choose drain for piece list on page one!

DN 100

without thermal insulation

LX542-5X

**with clamping flange
one-piece**
for bituminous and plastic
roofing sheets



Drain
Art.-No. 21311.100X



Fire protection drain
Art.-No. 22301.100X

LX542-6X

**with clamping flange
two-piece**
for bituminous and plastic
roofing sheets



Drain
Art.-No. 21321.100X



Fire protection drain
Art.-No. 22321.100X



with thermal insulation

LX542-7X

**with clamping flange
one-piece**
for bituminous and plastic
roofing sheets



Drain
Art.-No. 21312.100X



Fire protection drain
Art.-No. 22302.100X

LX542-8X

**with clamping flange
two-piece**
for bituminous and plastic
roofing sheets



Drain
Art.-No. 21322.100X



Fire protection drain
Art.-No. 22322.100X



with thermal insulation and heating

LX542-9X

**with clamping flange
one piece**
for bituminous and plastic
roofing sheets



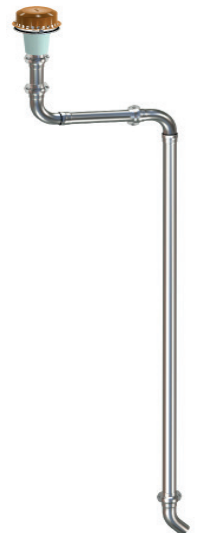
Drain
Art.-No. 21313.100X

LX542-10X

**with clamping flange
two piece**
for bituminous and plastic
roofing sheets



Drain
Art.-No. 21323.100X



Fire protection drains: The discharge capacity of the DRAINJET fire protection drains is identical to the one of the standard DRAINJET drains.

Heat tracing: Lorowerk recommends to check all drains and pipes with regard to their frost-sensibility. Where necessary, these parts should be upgraded with heat tracing.